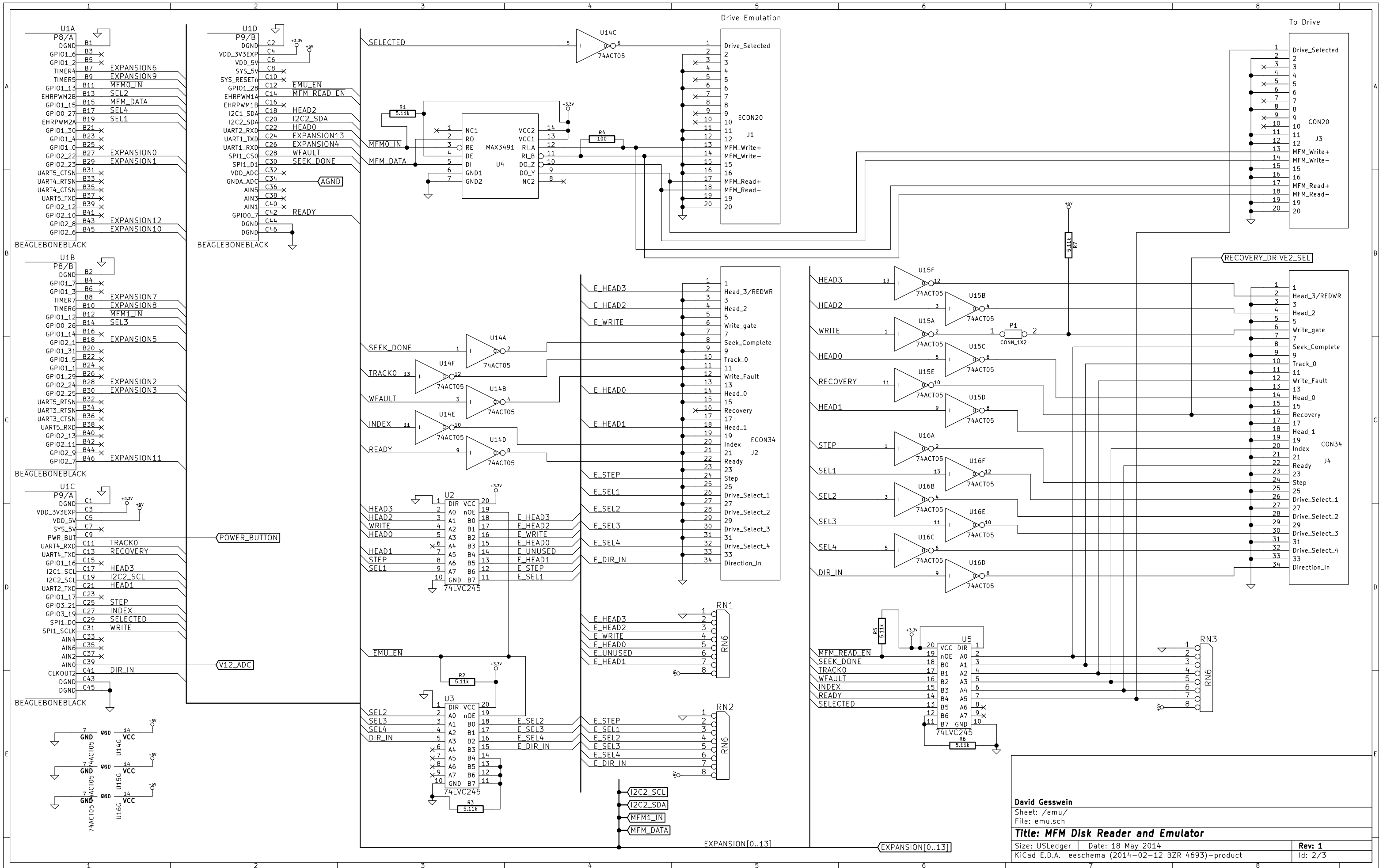


emu
emu.sch

emu2
emu2.sch

David Gesswein		
Sheet: /		
File: top.sch		
Title: MFM Disk Reader and Emulator		
Size: USLedger	Date: 18 May 2014	Rev: 1
KiCad E.D.A. eeschema (2014-02-12 BZR 4693)-product	Id: 1/3	



David Gesswein
Sheet: /emu/
File: emu.sch
Title: MFM Disk Reader and Emulator
Size: USLdger Date: 18 May 2014 Rev: 1
KiCad E.D.A. eeschema (2014-02-12 BZR 4693)-product Id: 2/3

