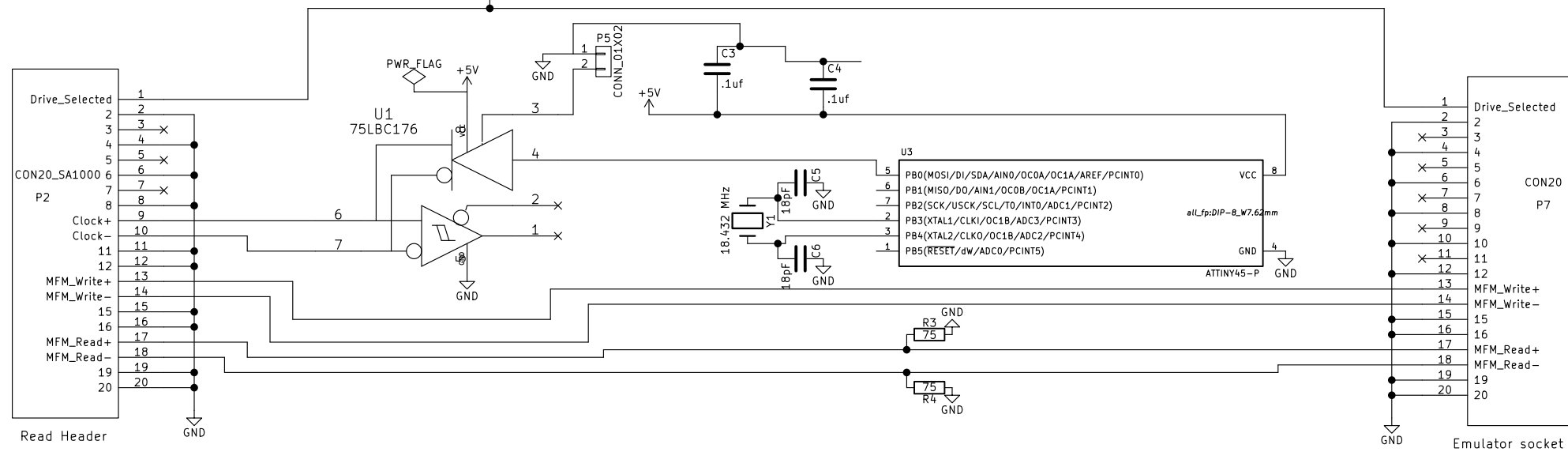
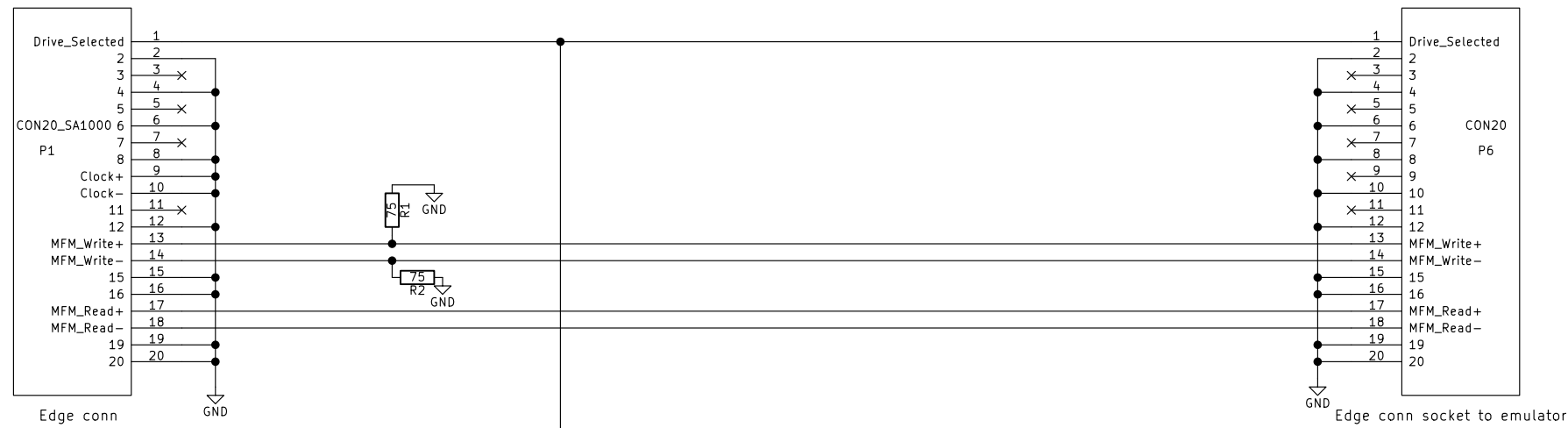


sheet2
sheet2.sch



<http://www.pdp8online.com/mfm/>

David Gesswein

Sheet: /

File: sa1000.sch

Title: SA1000 Adapter Board

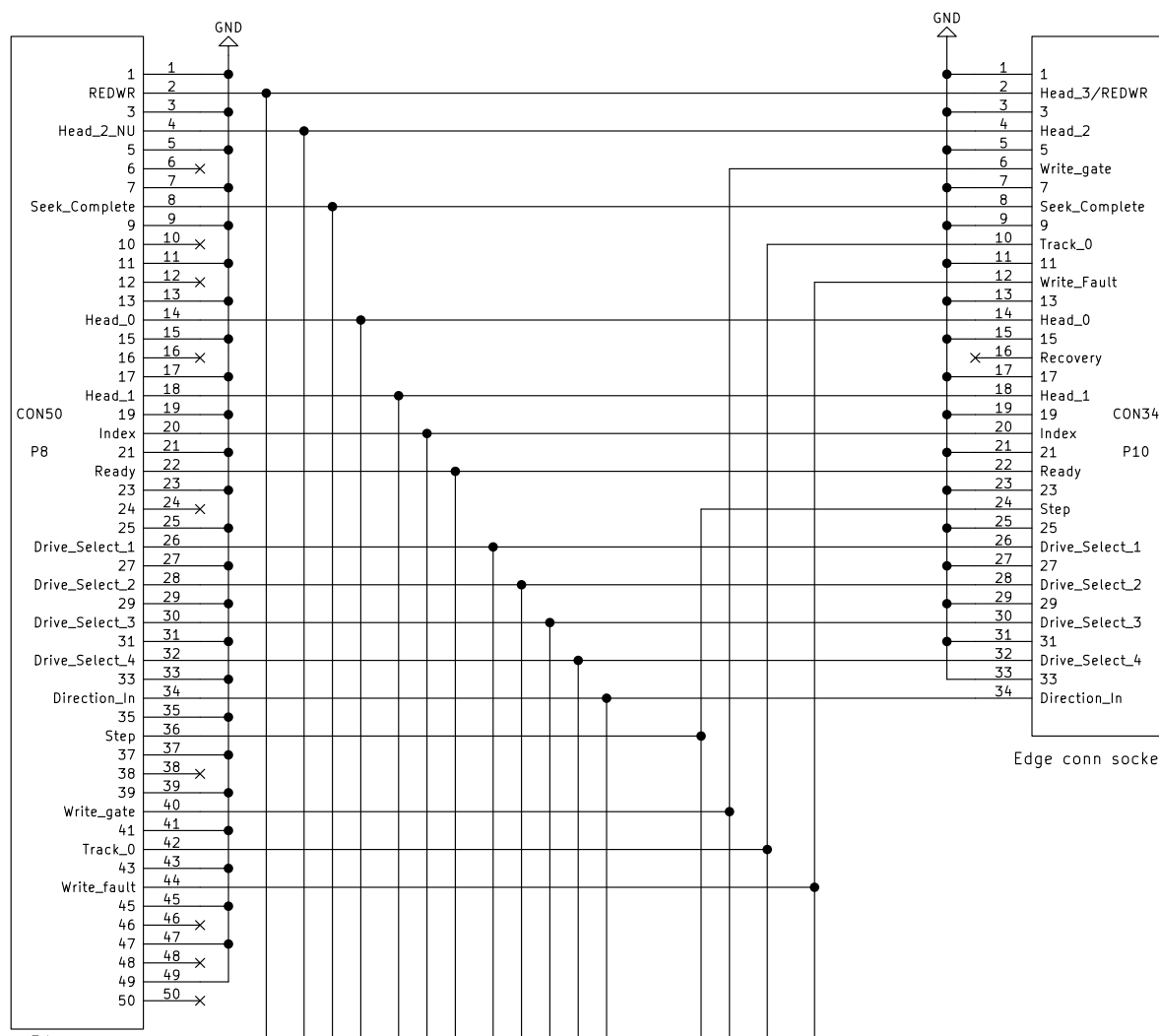
Size: B

Date: Sun 18 Mar 2018

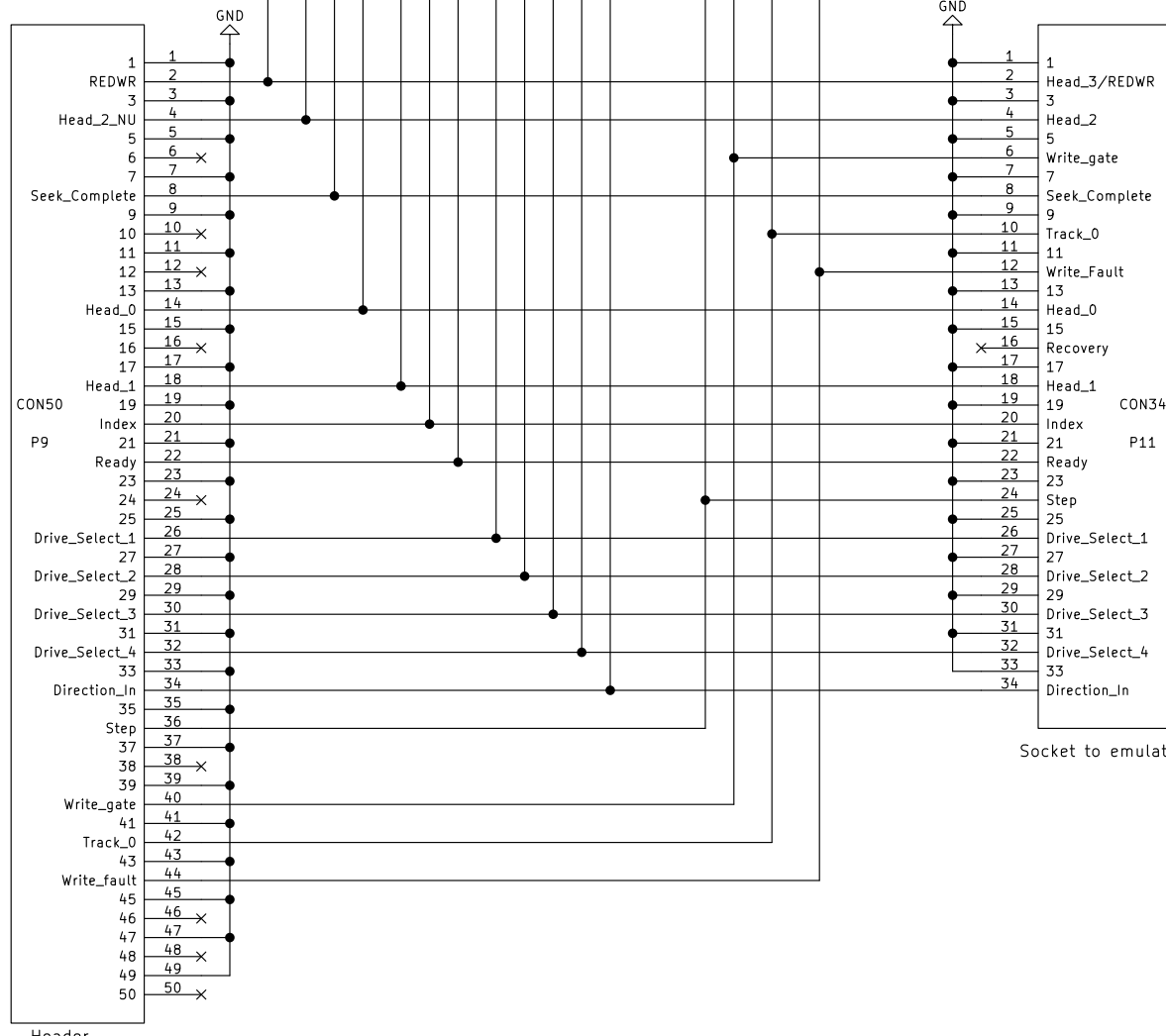
Rev: A

KiCad E.D.A. kicad (after 2015-mar-04 BZR unknown)-product

Id: 1/2



Edge conn socket to emulator



Socket to emulator