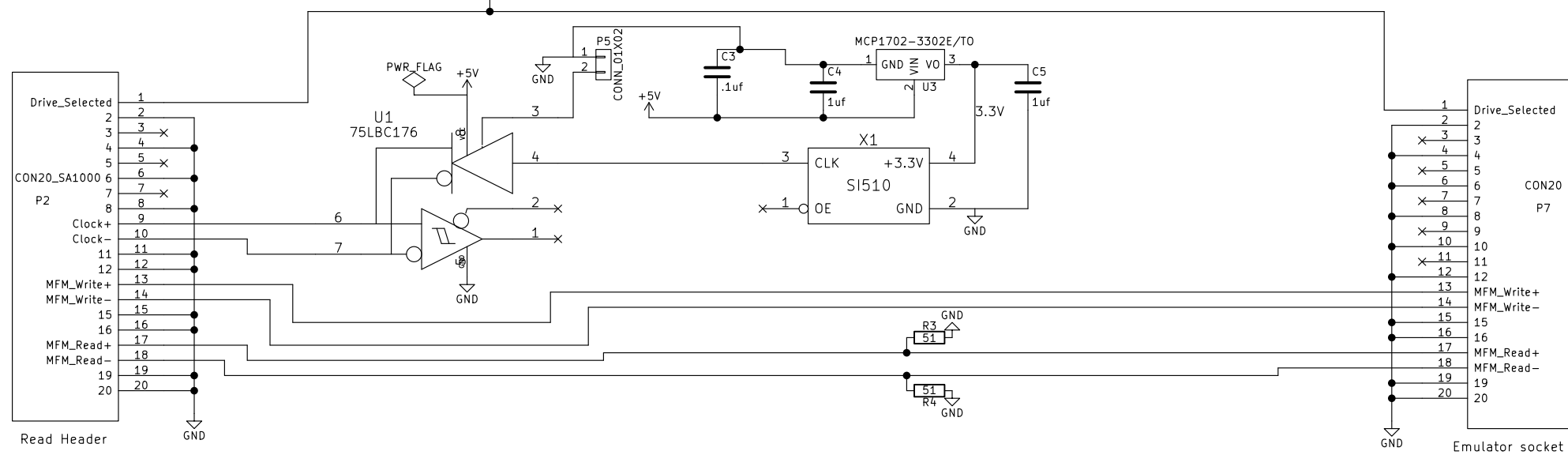
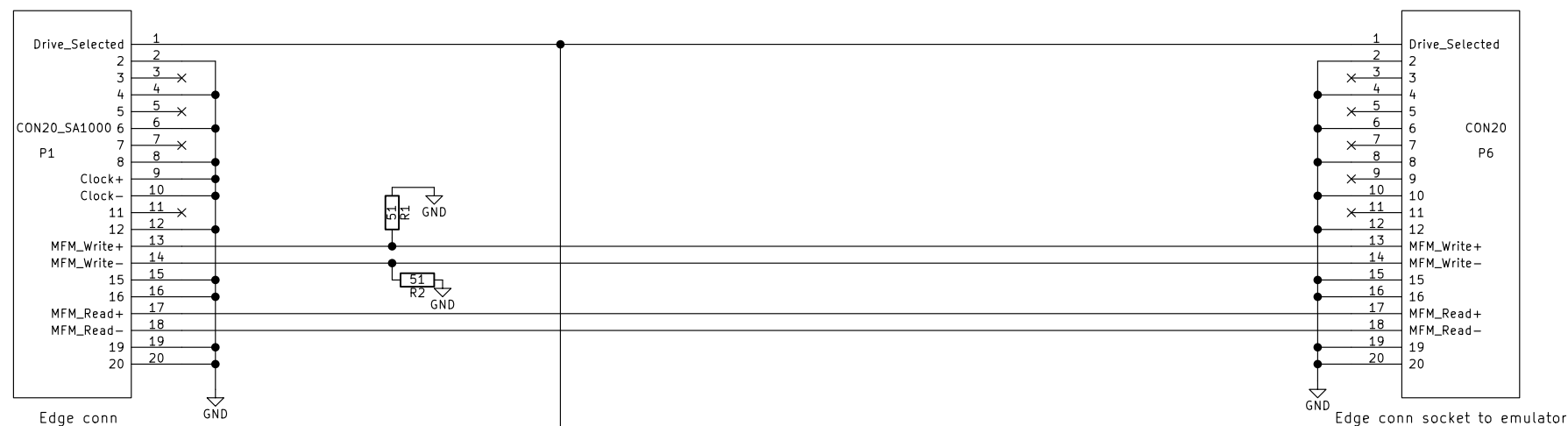
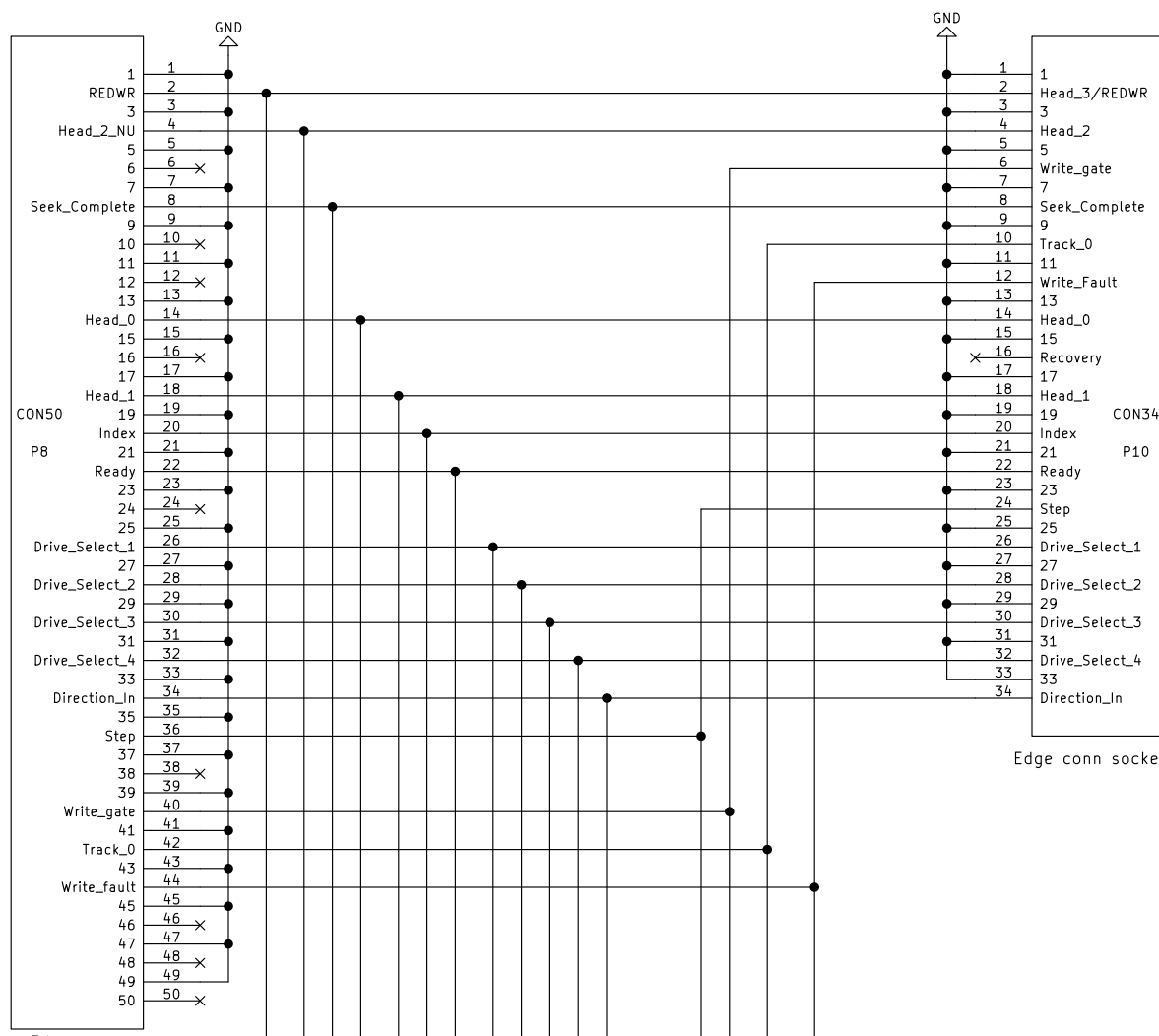


sheet2
sheet2.sch

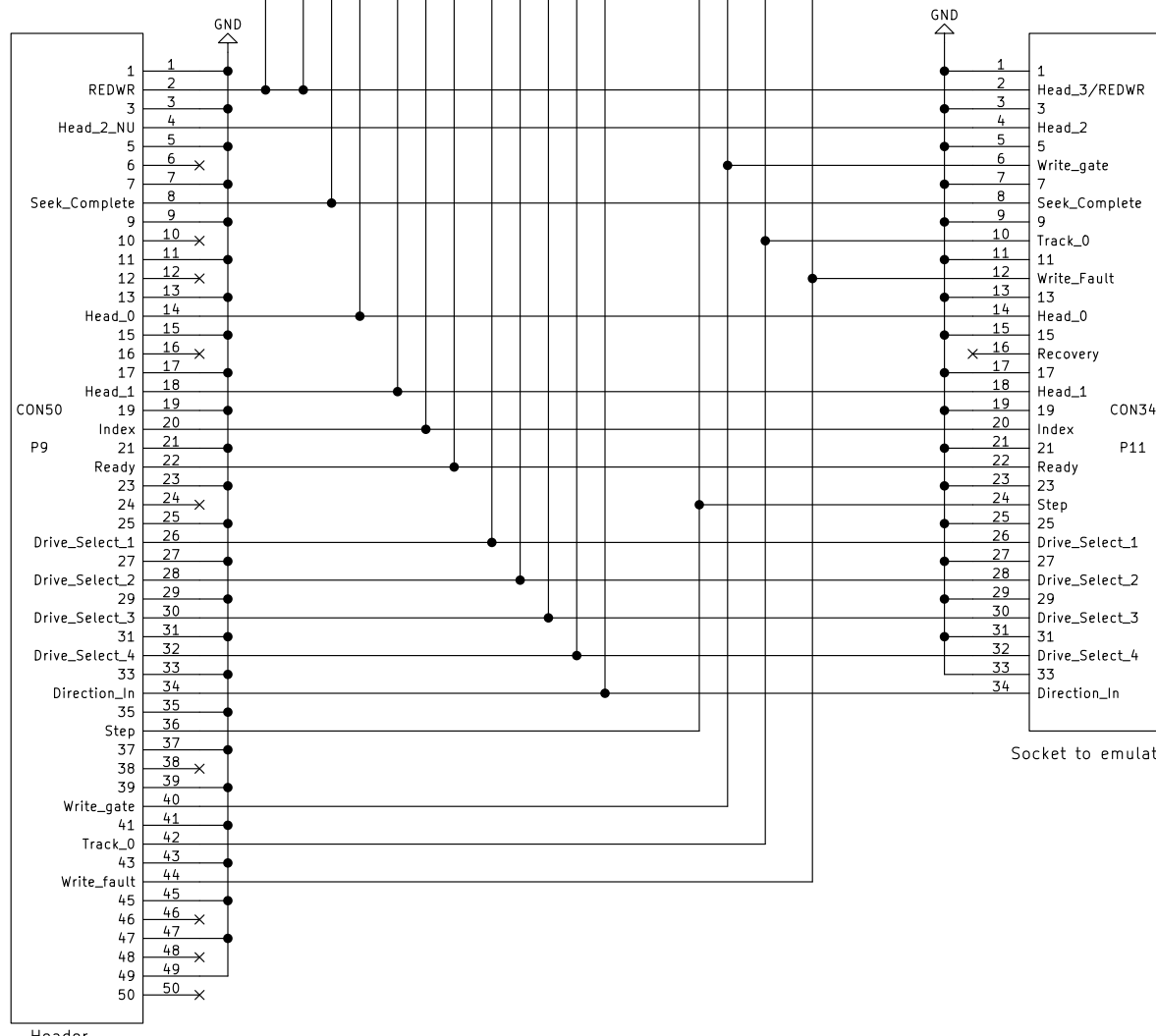


<http://www.pdp8online.com/mfm/>
David Gesswein
 Sheet: /
 File: sa1000.sch
Title: SA1000 Adapter Board
 Size: B Date: Sun 18 Mar 2018 Rev: A
 KiCad E.D.A. kicad (after 2015-mar-04 BZR unknown)-product Id: 1/2



Edge conn

Edge conn socket to emulator



Header

Socket to emulator